

Date of Installation : _____

Unit Serial Number : _____

Kompac Dealer : _____

Kompac®



A DIVISION OF DAY INTERNATIONAL, INC.



DAY INTERNATIONAL, INC.

Image Transfer Group

Kompac



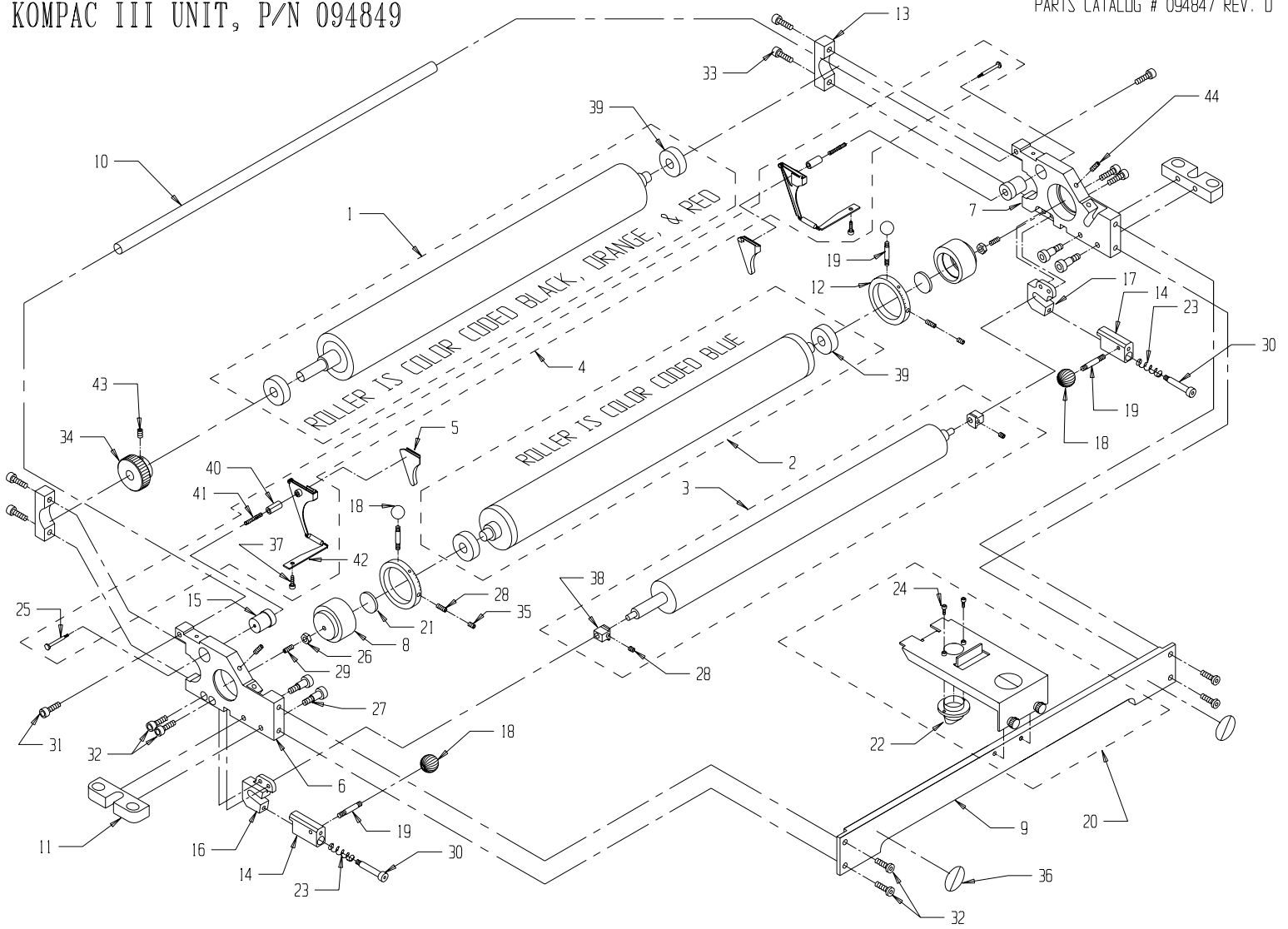
RYB 52

Parts Catalog # 094847

159 DWIGHT PLACE , FAIRFIELD , NEW JERSEY 07004

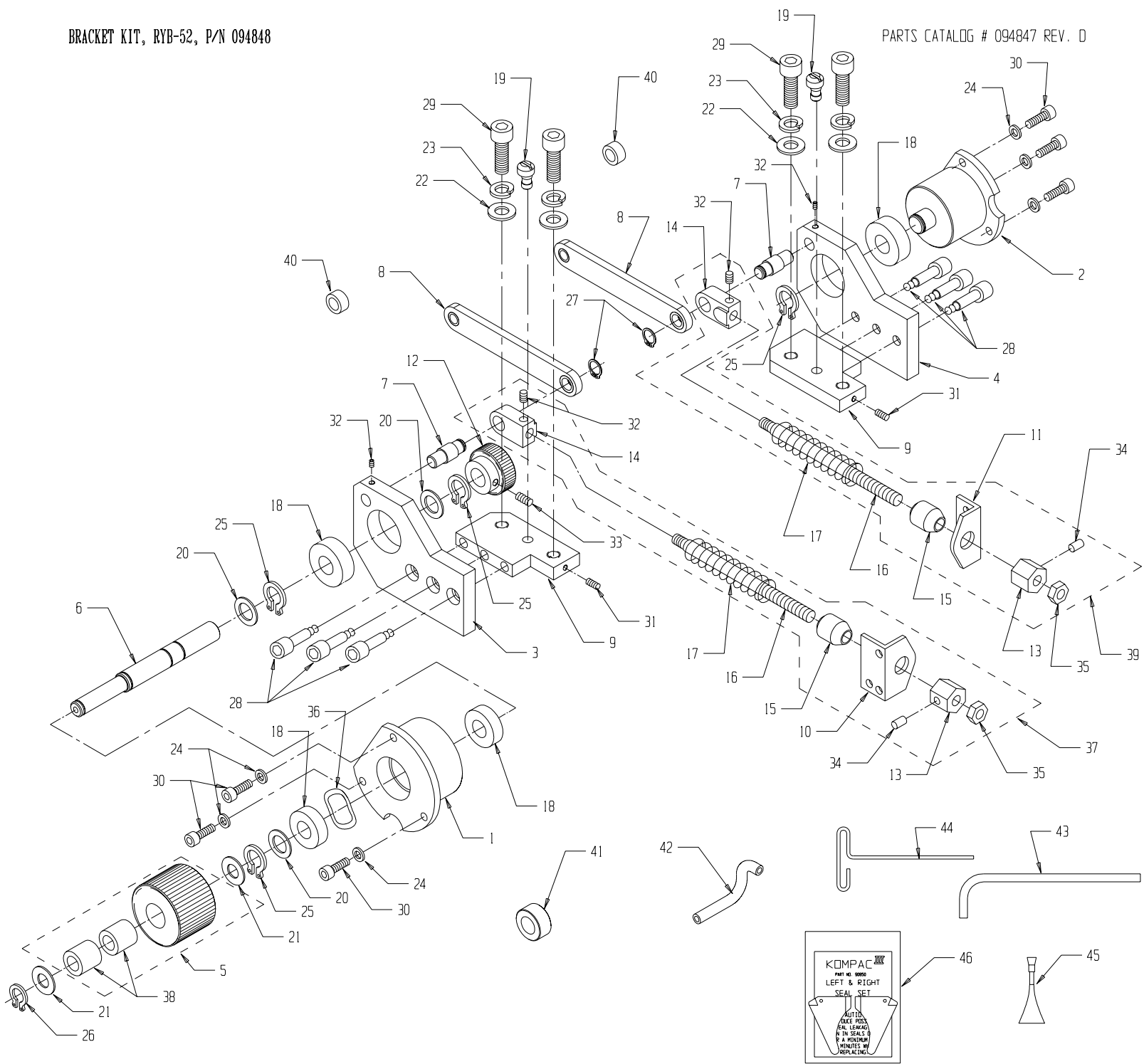
TEL: 973-227-8611 / 800-541-5702

FAX: 973-227-7532



* ITEMS MARKED ARE PART OF AN OUTLINED SUBASSEMBLY

44.	091687	M5 X 8MM SET SCREW	2	30.	091708	Ø 6MM X 30MM SHOULDER SCREW	2	15.	091407	BACKING PLATE STANDOFF	2
43.	091700	M6 X 6mm SOCKET SET SCREW	1	29.	091703	M5 X 12MM SET SCREW	2	14.	095697	CLAMP, OSCILLATOR	2
42.	091406	SPRING PLATE, GT-46/52	*	28.	091888	M5 X 5MM SET SCREW	2*	13.	092179	FORM ROLLER BEARING CLAMP	2
41.	092242	COMPRESSION SPRING	*	27.	091722	M8 X 16MM SHOULDER SCREW	4	12.	091416	METERING GAUGE	2
40.	092304	GUIDE PIN	*	26.	091752	M5 NUT	2	11.	091419	ATTACHMENT BLOCK	2
39.	092586	BEARING, Ø 12 X Ø 32 X 10	*	25.	092303	SHOULDER SCREW	*	10.	091418	TIE ROD	1
38.	092174	METRIC ALIGNMENT BLOCK	*	24.	091907	SCREW, #6-32 X 3/6 PHIL PAN HD	*	9.	091415	TIE PLATE, GT-52	1
37.	091760	M4 X 10MM CAP SCREW	*	23.	095698	COMPRESSION SPRING	2	8.	091412	METERING ROLLER ECCENTRIC	2
36.	092601	SAFETY STICKER	2	22.	092604	NOZZLE	*	7.	091411	NON-OP SIDE FRAME	1
35.	091909	M5 X 4MM SET SCREW, SLOTTED	2	21.	091413	THRUST PLATE	2	6.	091409	OP SIDE FRAME	1
34.	094866	GEAR, KOMPAC	1	20.	095650	NOZZLE BRACKET ASSEMBLY	1	5.	090850	R.H. AND L.H. KIII SEAL SET	1
33.	091761	M6 X 18MM CAP SCREW	4	19.	091417	THREADED STUD, SHORT	4	4.	091450	SEAL BACKING PLATE KIT	1
32.	091773	M6 X 12 CAP SCREW	8	18.	092055	BALL KNOB	4	3.	091470	OSCILLATOR ASSY	1
31.	091711	Ø 6MM X 16MM SHOULDER SCREW	2	17.	091424	RETAINER, OSCILLATOR, RH	1	2.	098870	METERING ROLLER ASSY, 52/C	1
				16.	091423	RETAINER, OSCILLATOR, LH	1	1.	094810	FORM ROLLER ASSY	1
ITEM	PART NO.	DESCRIPTION	QTY.	ITEM	PART NO.	DESCRIPTION	QTY.	ITEM	PART NO.	DESCRIPTION	QTY.

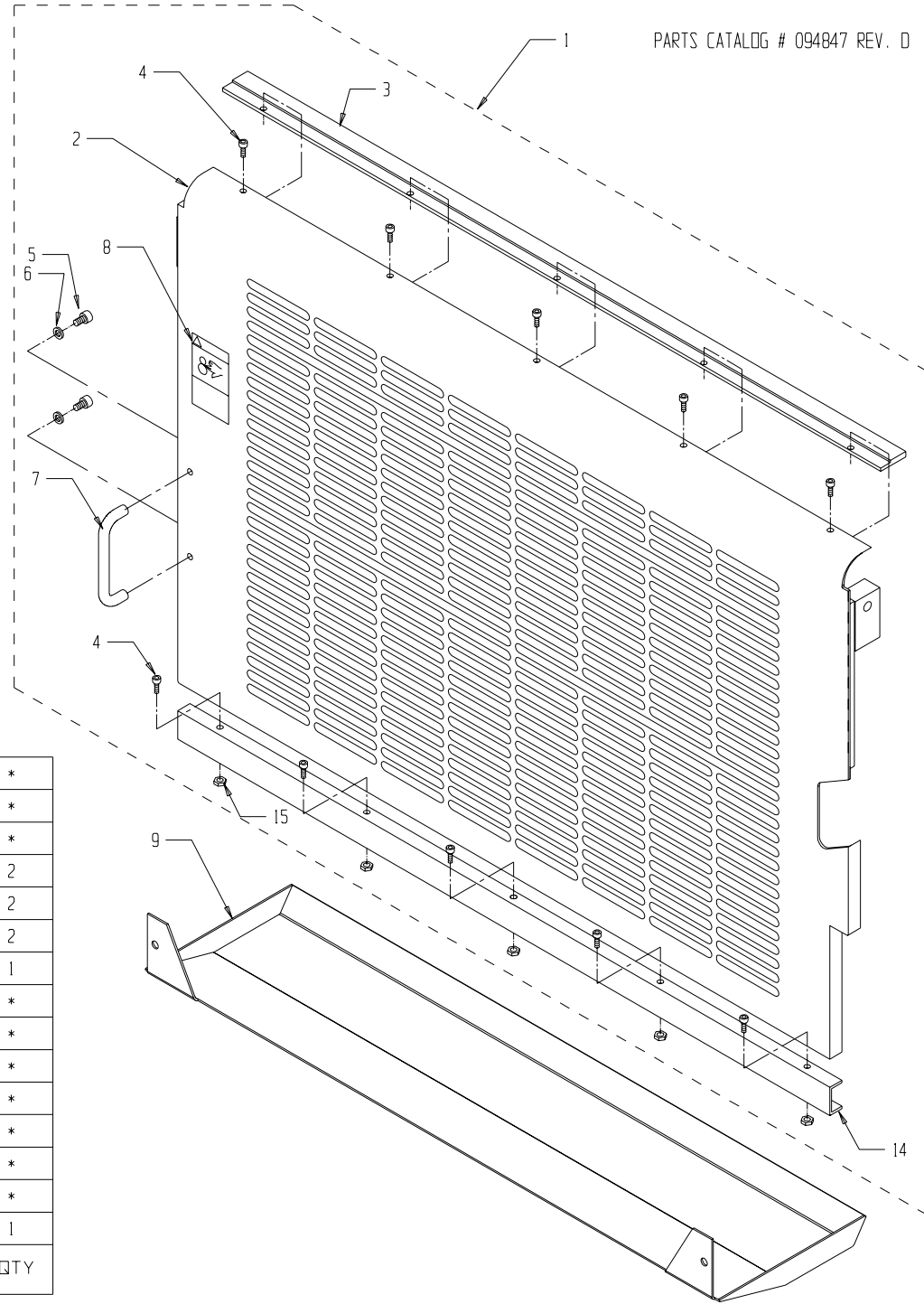
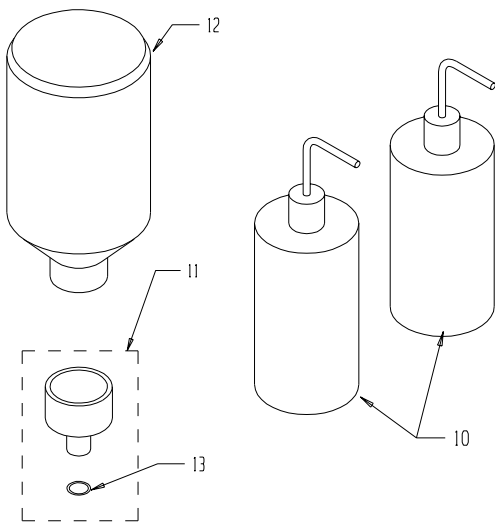


* ITEMS MARKED ARE PART OF AN OUTLINED SUBASSEMBLY

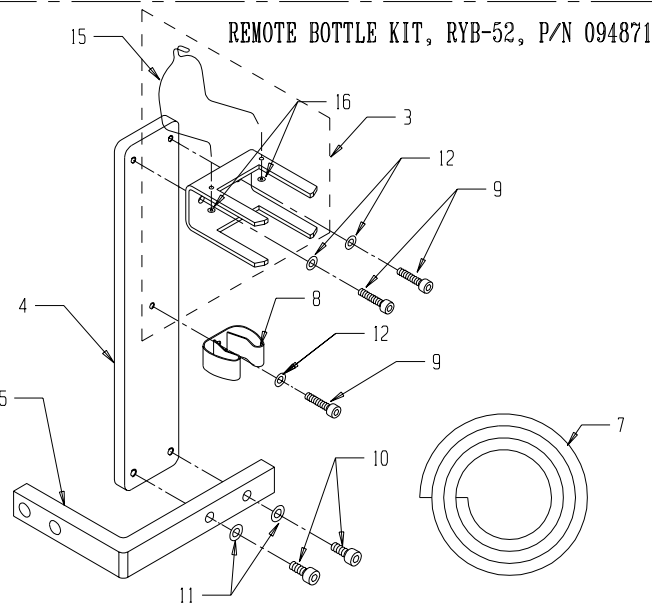
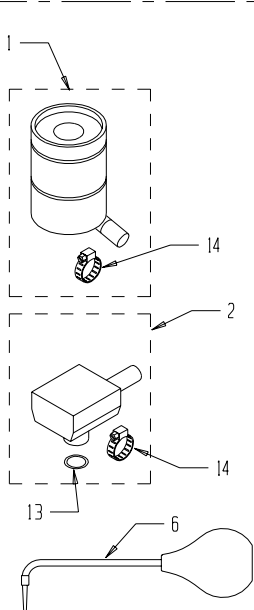
46.	090850	KIII SEAL SET	1
45.	092061	LOCTITE, 5ML	1
44.	090756	T-ALLEN KEY, 2.5mm	1
43.	090758	BALL END ALLEN KEY, 8mm	1
42.	091528	PLASTIC HOSE, Ø1/2"	1
41.	094886	SPACER, Ø.562 x Ø 1.00 x .472	1
40.	094870	SPACER, Ø.398 x Ø.625 x .315	2
39.	094880	ASSY, STRIPE ROD, RH	1
38.	092056	12mm CLUTCH BEARING	*
37.	094879	ASSY, STRIPE ROD, LH	1
36.	091783	WAVE WASHER, 35mm	1
35.	091547	NUT, HEX JAM, 3/8 - 24, SPECIAL	*
34.	091546	SET SCREW, NYLON, M4 X 6mm	*
33.	091700	M6 X 6mm SET SCREW	1
32.	091888	M5 X 5mm SET SCREW	2*
31.	091889	M5 X 10mm SET SCREW	2
ITEM	PART NO.	DESCRIPTION	QTY.

30.	091761	M6 X 18mm CAP SCREW	6
29.	091629	SCREW, M10 X 30mm SDC HD CAP	4
28.	091711	M6 x 16mm SHOULDER SCREW	6
27.	091665	10mm RETAINING RING	2
26.	091662	12mm RETAINING RING	1
25.	091993	RETAINING RING, 15mm EXTERNAL	4
24.	091637	WASHER, BELLEVILLE, .264 x .374	6
23.	091741	M10 SPLIT LOCK WASHER	4
22.	091976	M10 FLAT WASHER	4
21.	091966	SPACER WASHER, 12mm	2
20.	092019	SPACER, .906 x .603 x .02	3
19.	091511	ADJUSTMENT ECCENTRIC	2
18.	092083	BEARING, Ø35 x Ø15 x 11mm(6202)	4
17.	094887	SPRING, COMPRESSION	*
16.	094884	ROD, SPRING	*
ITEM	PART NO.	DESCRIPTION	QTY.

15.	098036	COLLAR, SPRING	*
14.	094868	UNION, PIVOT	*
13.	094867	NUT, ADJUSTMENT	*
12.	094865	GEAR, DRIVE	1
11.	094862	BRACKET, STRIPE ROD, RH	*
10.	094861	BRACKET, STRIPE ROD, LH	*
9.	094859	BLOCK, MOUNTING	2
8.	094858	LINK, ON/OFF, RYB-52	2
7.	094857	SHAFT, SUPPORT	2
6.	094856	SHAFT, DRIVE, RYB-52	1
5.	094860	ASSY, GEAR & CLUTCH	1
4.	094854	BRACKET, MOUNTING, RH, RYB-52	1
3.	094853	BRACKET, MOUNTING, LH, RYB-52	1
2.	094852	BUSHING, PIVOT, RYB-52	1
1.	094851	HOUSING, BEARING, RYB-52	1
ITEM	PART NO.	DESCRIPTION	QTY.



15	091599	NUT, LOCKING, M5 X .8	*
14	094885	GUARD, EXTENSION, OLD STYLE, RYB-52	*
13	092765	O-RING	*
12	092772	1/2 GALLON BOTTLE	2
11	092760	DISPENSING VALVE ASSY	2
10	092774	WASH UP BOTTLE, LONG NECK	2
9	094869	PAN, DRIP, RYB-52	1
8	098134	LABEL SAFETY GUARD	*
7	092077	PULL HANDLE	*
6	091978	WASHER, #10 FLAT	*
5	091845	SCREW, #10-32 X 3/8 CAP SCREW	*
4	091768	SCREW, M5 X 10mm, BUTTON HEAD	*
3	094873	GUARD, EXTENSION, NEW STYLE, RYB-52	*
2	094872	GUARD, SAFETY, RYB-52	*
1	094878	KIT, SAFETY GUARD, RYB-52	1
ITEM#	PART #	DESCRIPTION	QTY



* PART IS INCLUDED IN OUTLINED SUBASSEMBLY

16	092065	PUSH RETAINER	*
15	092753	HOLD DOWN CLAMP	*
14	091911	1/4-29/32 ADJUSTABLE CLAMP	*
13	092765	O-RING	1*
12	091978	M5 FLAT WASHER	3
11	091743	M6 FLAT WASHER	2
10	091761	M6 X 18mm CAP SCREW	2
9	091765	M5 X 12mm BUTTON HD CAP SCREW	3
8	091672	SPRING CLIP	1
7	092756	1/2" ID VINYL TUBING	1
6	092779	ASSY, SYRINGE, LONG NECK	1
5	094863	BRACKET, SUPPORT, BOTTLE BKT	1
4	094864	BRACKET, REMOTE BOTTLE	1
3	092749	UNIVERSAL BOTTLE BRACKET	1
2	092750	ADAPTER BASE ASSEMBLY	1
1	092740	BOTTLE VALVE ASSEMBLY	1
ITEM#	PART #	DESCRIPTION	QTY